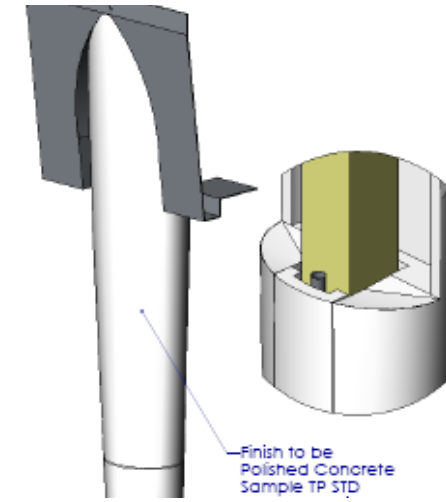


Golden Square, Warrington
Case Study



This is some text



This is some text

Project:
Golden Square Shopping Centre,
Warrington

Contractor:
John Doyle Construction

Engineer:
Gardiner & Theobald

Architect:
Haskoll Limited

Product:
Elliptical polished
columns



This is some text



This is some text

This is some text

This is some text



This is some text



This is some text

